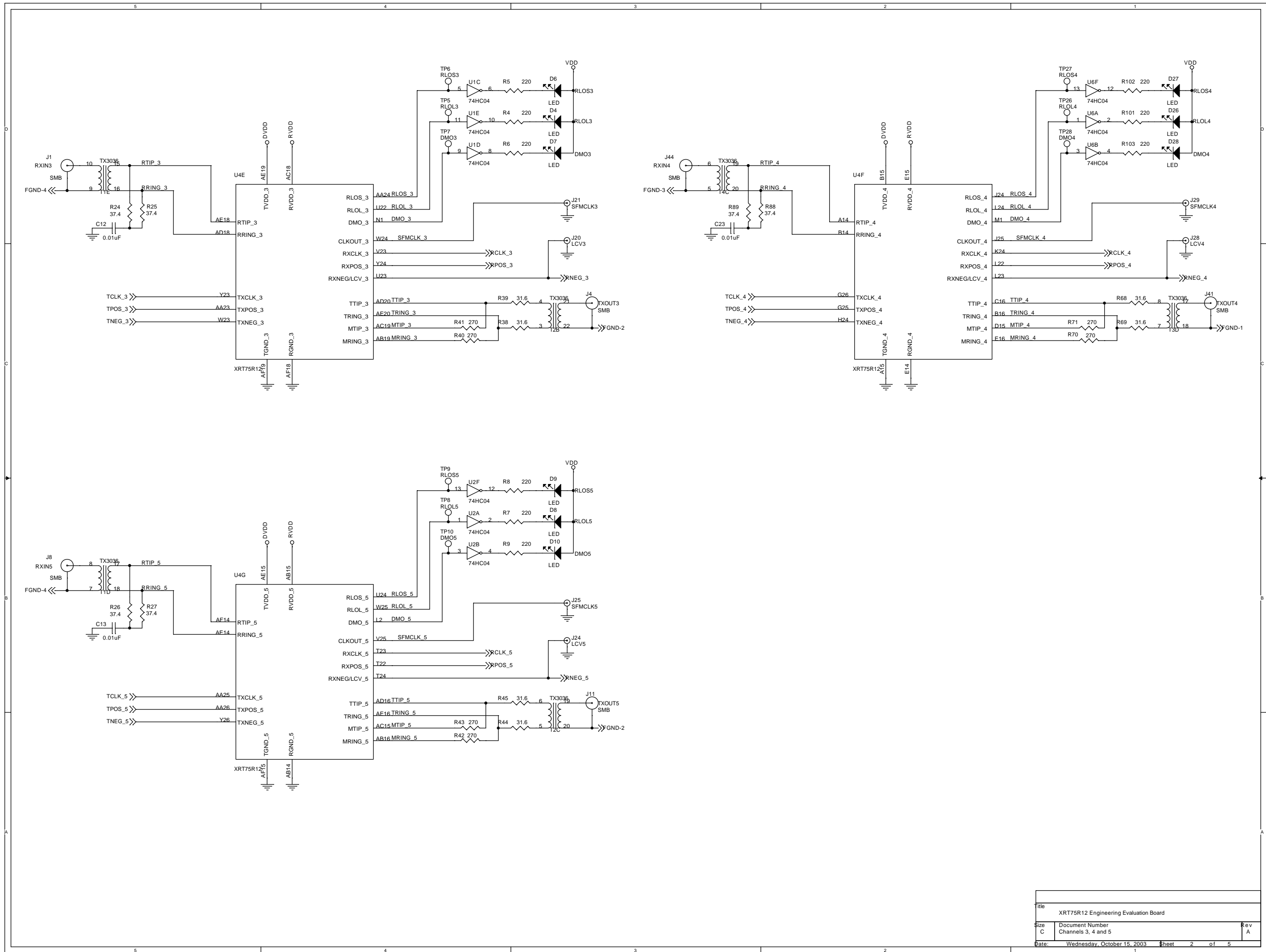
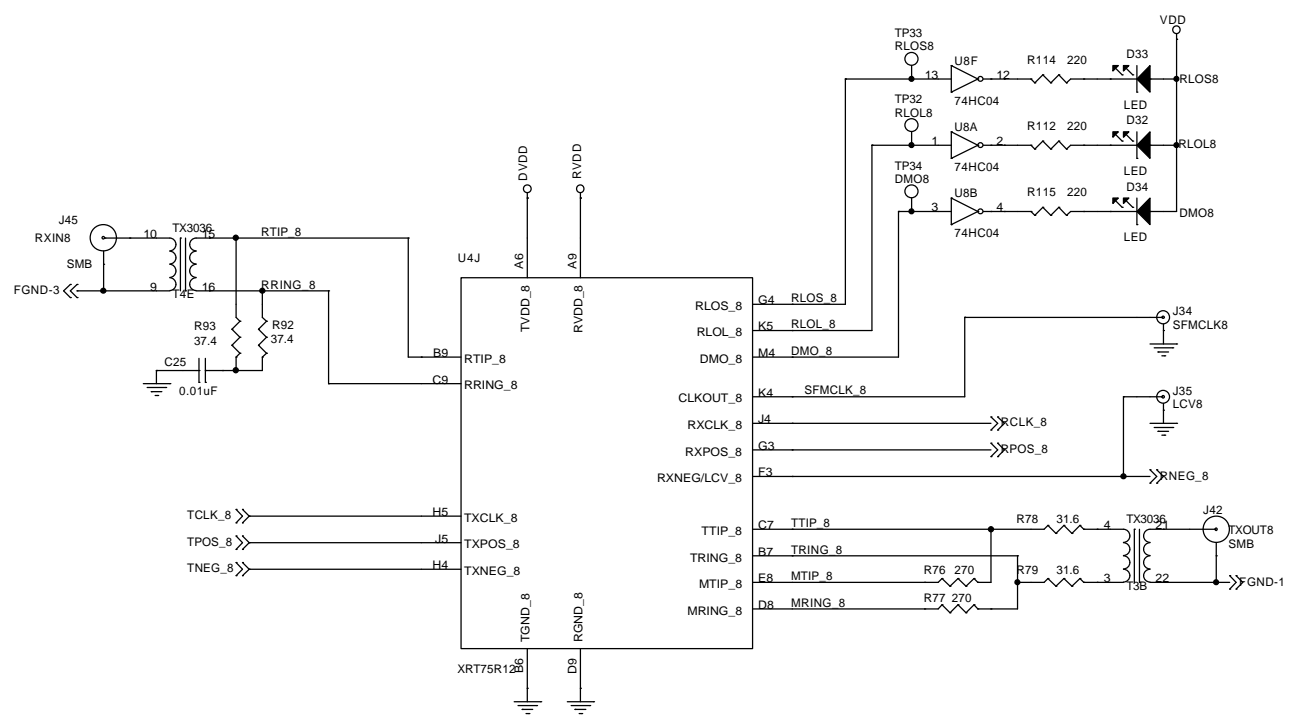
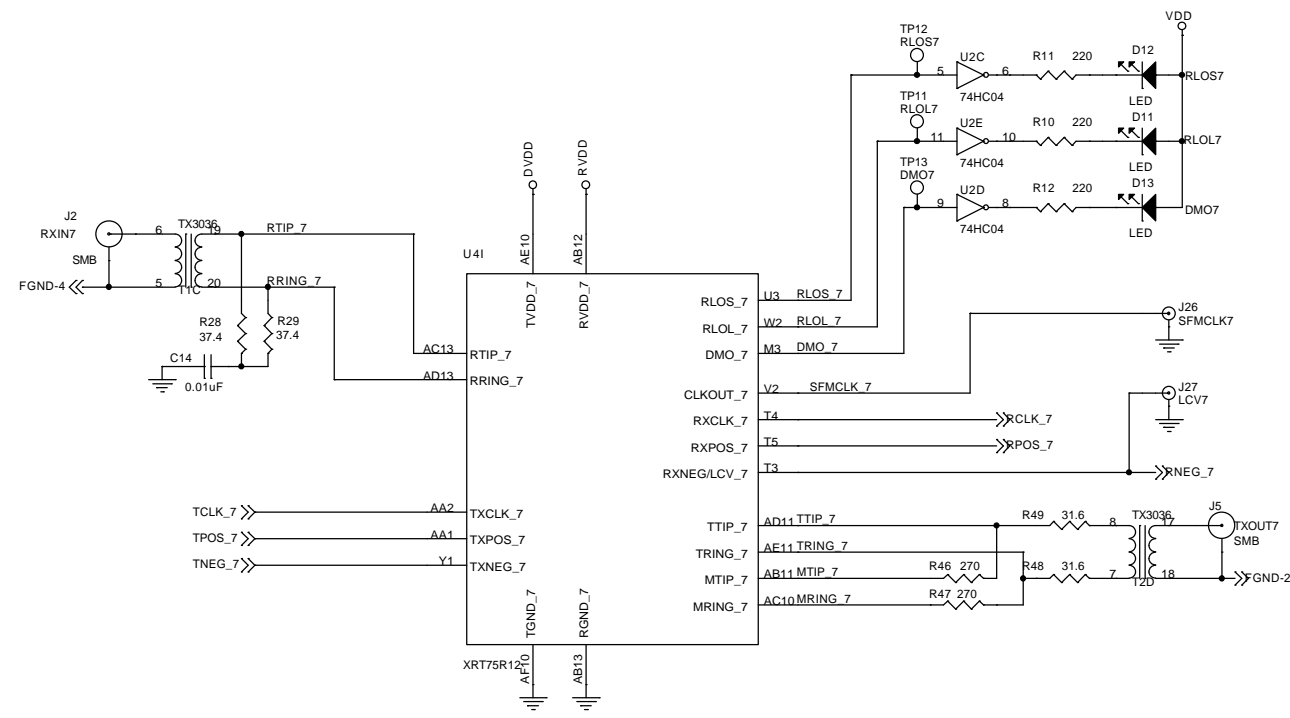
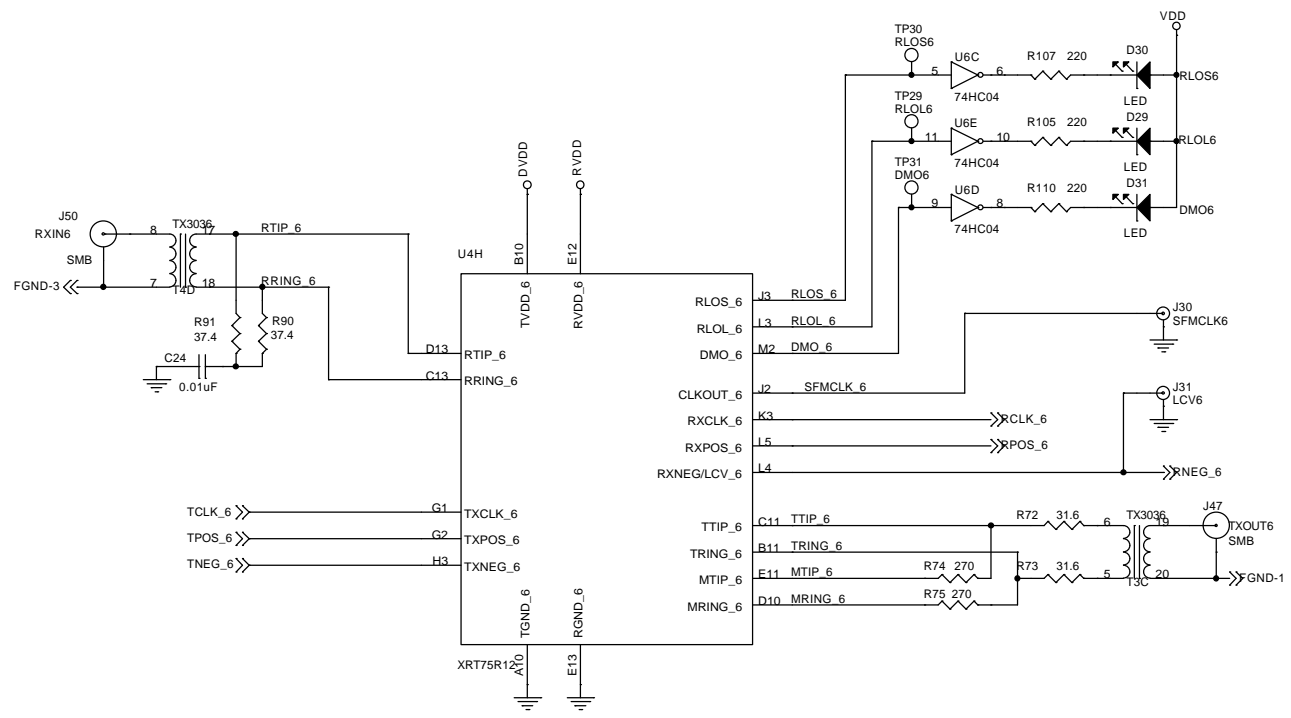
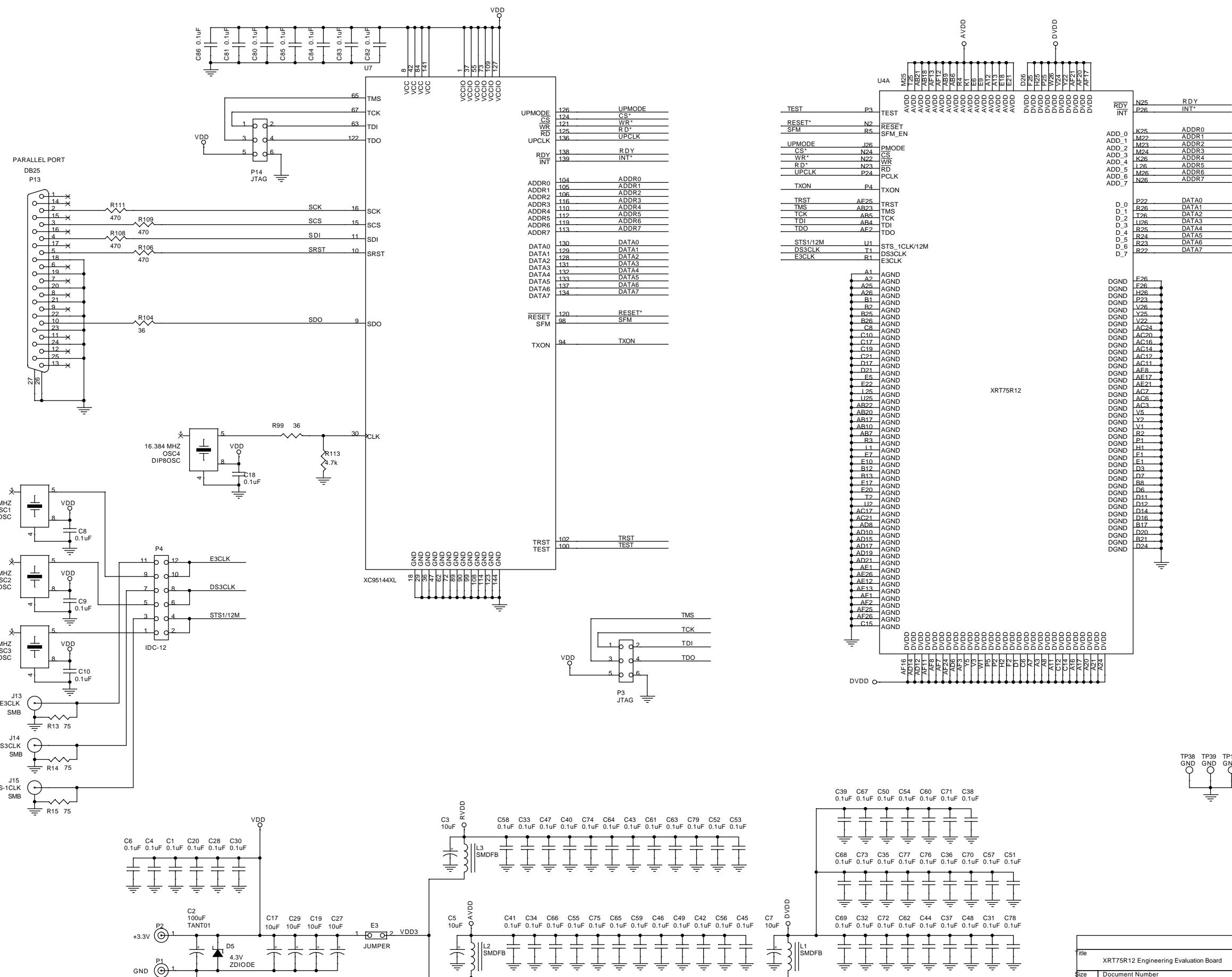


Title		
XRT75R12 Engineering Evaluation Board		
Size	Document Number	Rev
C	Channels 0, 1 and 2	A
Date:	Wednesday, October 15, 2003	Sheet 1 of 5









File	XRT75R12 Engineering Evaluation Board		
Size	Document Number	Control and Power Distribution	Rev A
Date	Wednesday, October 15, 2003	Sheet 5	of 5